

ECO-WORTHY

Manual

Solar Panel Roof Mounting System

Installation Manual



WARNING : PLEASE READ CAREFULLY BEFORE PROCEEDING

The user must read and follow the manufacturer's instructions for each component of the system. These instructions must be provided to the user of this equipment. The user must understand these instructions before using this equipment. Manufacturer's instructions must be followed for the proper use and maintenance of this equipment.

Always follow the basic precautions listed below, wear gloves to prevent injury. These precautions include, but are not limited to, the following:

- Make sure that the surface this bracket is being mounted on has the strength to handle the weight of both solar panels and this bracket.
- Use bolts and nuts as well as washers for installation and tighten them firmly so that solar panels are secure .
- Always loosen the corresponding screw before adjusting the angle or direction of solar panels. Never force this adjustment with the screw still tightened.
- Some fittings may deteriorate over extended periods of time due to wear and/or corrosion. For optimum safety, the installation should be checked thoroughly at regular intervals.

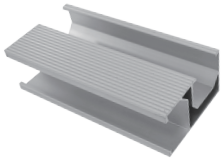


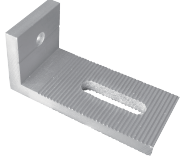
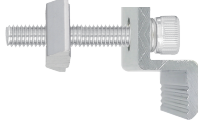
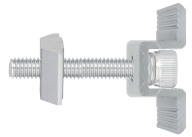

* Illustrations herein are for explanatory purposes only, and may not match actual appearance during operation.

* Specifications and descriptions in this owner’s manual are for information purposes only. ECO-WORTHY reserves the right to change or modify products or specifications at any time without prior notice.

I .Appropriate for

- Suitable for any size rigid solar panels.
- Suggest solar panel thickness: 1.37inch(35mm)
- For roofs or flat roofs with corrugation height less than 1.96inch(50mm)

II. List of accessories

Number	Name of accessories	Quantity (pc)	Image
①	Rail	10	
②	T Block	10	
③	Self-tapping Screw	10	
④	L Bracket	10	
⑤	Edge Pressure Block	4	
⑥	Middle Pressure Block	6	
⑦	Waterproof Gasket	10	

III. Installation

A. Mark two horizontal lines on the roof (where the solar panel is planned to be installed), the distance between them should be $\frac{2}{3}$ of the length of the solar panel.

B. Mark five vertical lines that intersect with the two lines (from step A), the distance between each two is the solar panel width plus another 0.78inch(20mm).

C. Get 10 intersection points from these horizontal and vertical lines. Drill holes at these points with suitable tools, for fixing **Self-Tapping Screws**.

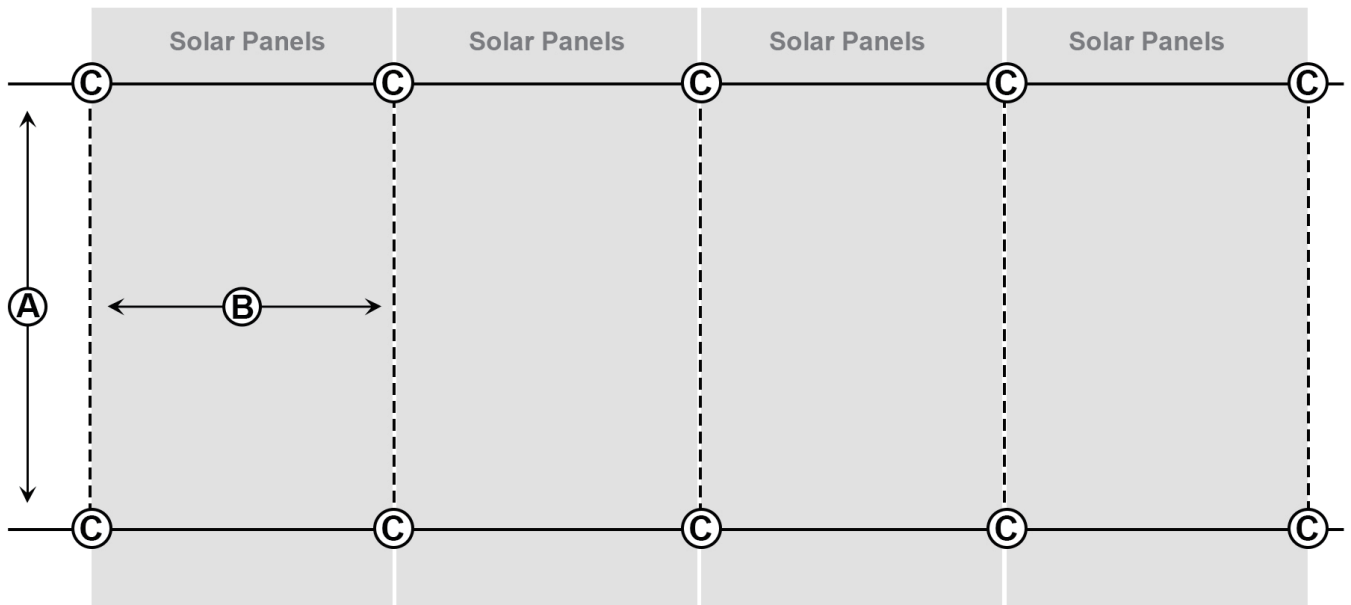


FIGURE- ①

D. As **FIGURE-②** shows, fix the **L Bracket** and **Waterproof Gasket** on the roof with the Self-Tapping Screws.

E. As **FIGURE-②** shows, fix the **T Block** on the **L bracket** loosely, make sure the section of **T Block** is vertical.

F. As **FIGURE-③** shows, snap the **T Block** (on **L Bracket**) into the midpoint of the **Rail**; adjust the **Rail** to an appropriate height, and tighten the **T block** to form part **Z**.

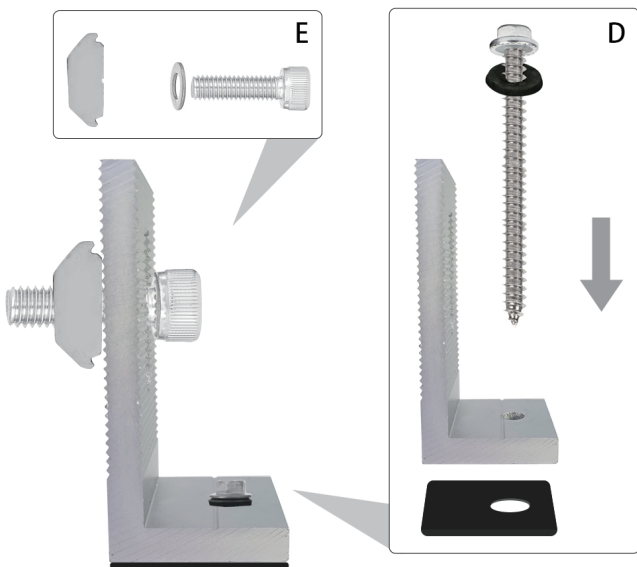


FIGURE- ②

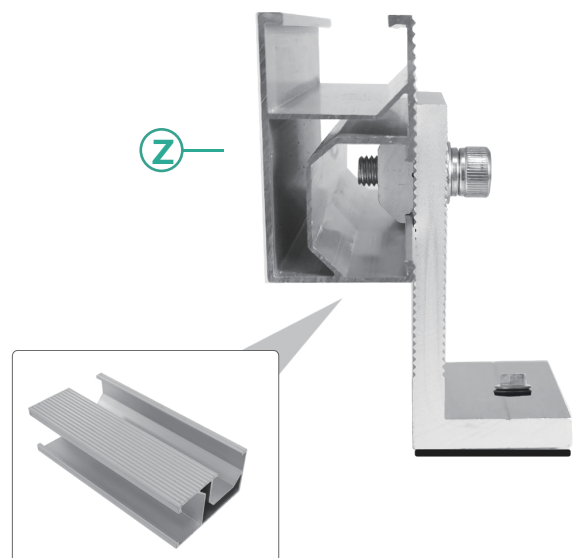


FIGURE- ③

G. As **FIGURE-④** shows, place the **Edge Pressure Block** on the **Z** parts to form part **(X)**, which is for fixing solar panels from four corners.

H. As **FIGURE-④** shows, place the **Middle Pressure Block** on the **Z** parts to form part **(Y)**, which is for fixing both sides' solar panels from the middle.

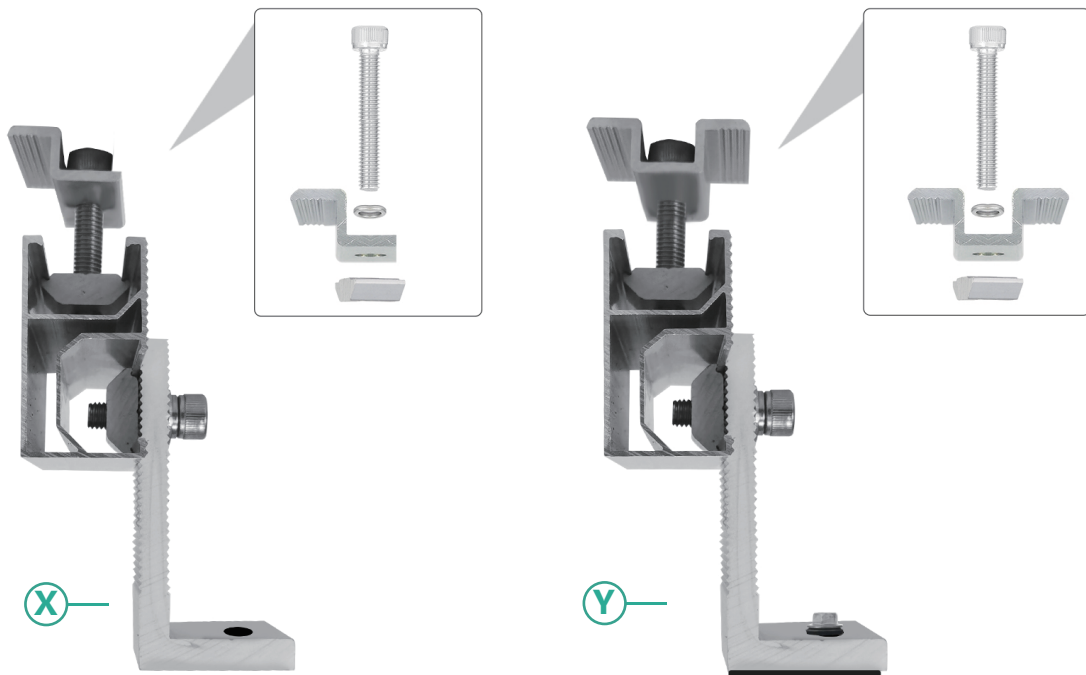


FIGURE- ④

I. As **FIGURE-⑤** shows, place solar panels on brackets and tighten the screws of all the pressure blocks.

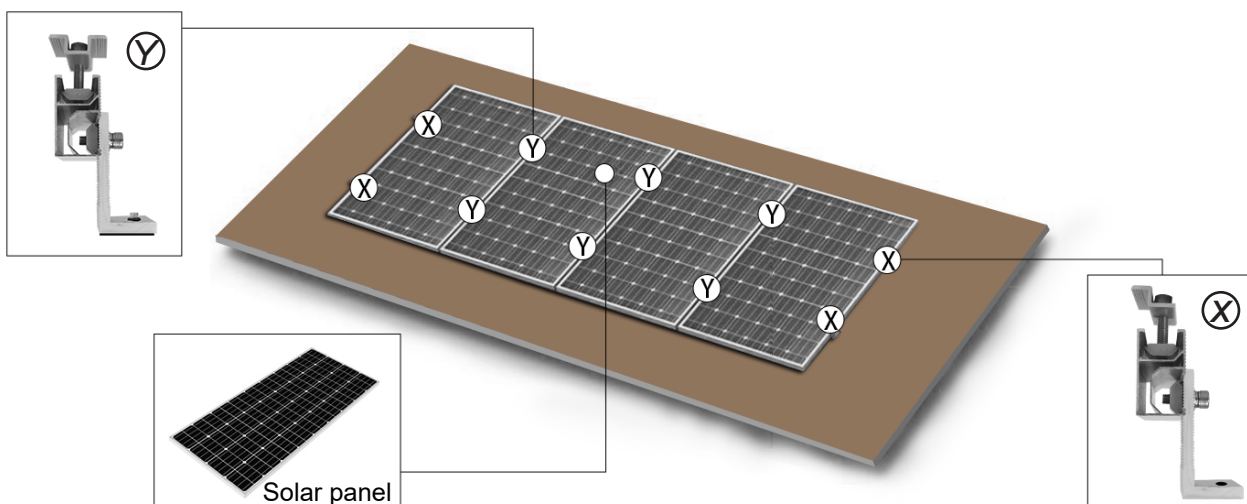


FIGURE- ⑤

If you have questions on the use, care, application, or suitability of this equipment contact ECO-WORTHY.

CONTACT US

Web: www.eco-worthy.com

Tel: +1-866-939-8222

Mail: info@eco-worthy.com

FB: [@ecoworthy.store](https://www.facebook.com/ecoworthy.store)

Ins: [@ecoworthyenergy](https://www.instagram.com/ecoworthyenergy)

Twitter: [@ecoworthy](https://twitter.com/ecoworthy)

Youtube: Eco Worthy